

# Amsterdam

Profesionalni suho-mokri usisava i



## IPC Soteco

IPC Integrated Professional Cleaning



*Strujić-S.hr*

[www.strujic-s.hr](http://www.strujic-s.hr)

Mala Subotica, Glavna 67, Mob: 098/426 085, Email: [info@strujic-s.hr](mailto:info@strujic-s.hr)

# Profesionalni suho-mokri usisava i Amsterdam serija



IPC Integrated Professional Cleaning



Model	Motor dvostupanjski W	Napon V	Podtlak mm	Protok zraka m <sup>3</sup> /h	Kapacitet spremn. l
<b>Supercondor</b>	1200 max by pass	220-240	2470	210	15

Standardna oprema Ø36: 1685 (1685G) - 6240 (2pcs) - 6158 - 616 - 617 - 632 - 4 (Supercondor + 2720)

<b>315</b>	1200 max by pass	220-240	2470	210	23
------------	------------------	---------	------	-----	----

Standardna oprema Ø38: 6295 - 6388 - 3 - 8 - 6387 (2pcs) - 6389 - 6384 - 6385 Opcionalno 2852 - 2855 - 6386

<b>429 B/T</b>	2400 max by pass	220-240	2470	420	77 B/T
----------------	------------------	---------	------	-----	--------

<b>440 B/T</b>	3300 max by pass	220-240	2470	630	77 B/T
----------------	------------------	---------	------	-----	--------

Standardna oprema Ø38: 6295 - 6388 - 3 - 8 - 6387(2pcs) 6389 - 6384 - 6385 Opcionalno 2852-2855 - 6386-41-42-3200

Dodatna oprema:

Dodatna oprema:

Sifra	Sifra
3	2855
4	3200
82	6295
617	6384
624	6385
632	6386
2720	6387-6240
2852	6389-6158

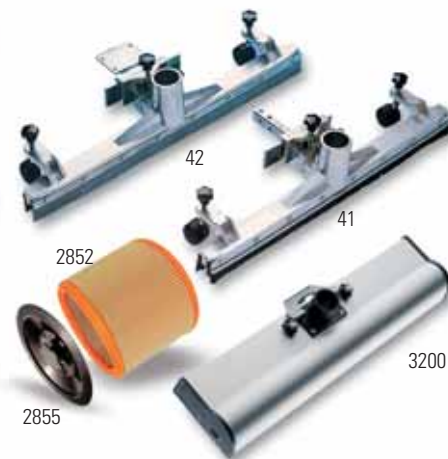
## Oprema Ø36



## Oprema Ø38



## Dodatna oprema



**Strujic-S.hr**

www.strujic-s.hr

Mala Subotica, Glavna 67, Mob: 098/426 085, Email: info@strujic-s.hr

# Pony-Aspirolava

Profesionalni ekstrakcijski uređaji za pranje

Integrated Professional Cleaning



**IPC Soteco**



*Strujić-S.hr*

[www.strujic-s.hr](http://www.strujic-s.hr)

Mala Subotica, Glavna 67, Mob: 098/426 085, Email: [info@strujic-s.hr](mailto:info@strujic-s.hr)



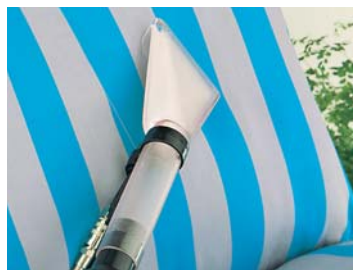
## Pony-Aspirolava



Naši ekstrakcijski uređaji su višenamjenska oprema koja vam, zahvaljujući njihovom ekstrakcijskom dijelu, pomaže kod brzog i efikasnog pranja gotovo svakog tipa površina: tepiha, tepihona, tapeciranog namještaja, zavjesa, podova (mramor, guma i sl.), zidova i auto sjedala. Pumpa u ekstrakcijskom dijelu na modelima Pony 700, Pony 800, Pony 900 i Pony 900 Compact, proizvedena je u pogonima IPC Soteco.

Svi ovi uređaji mogu se koristiti i kao normalni suho-mokri usisavači.

Our extractors are multivalent equipments which, thanks to their injection-extraction system, help you to wash quickly every kind of surface: moquettes, carpets, arm-chairs, curtains, floors (marble, rubber, etc.), walls and car seats. The pump of models Pony 700, Pony 800, Pony 900 and Pony 900 Compact is manufactured by IPC Soteco. All these machines may be used even as normal wet and dry vacuum cleaners.



MODEL	broj motora	dvost. motor bypass	Napon	Podtlak	Protok zraka	Pumpa	Prot.pumpe	Prit. pumpe	Sprem.za sreds.	Sprem. ukupno
MODEL	No of motors	Two stage motor by pass		Waterlift	Air flow	Pump	Pump capacity	Pump press.	Detergent tank cap.	Total tank capacity
		W	mm		m <sup>3</sup> /h	W	l/min	bar	l	l
Pony 700	2	2400 max	220-240	2470	420	90	1,8	3,5	25	60
Pony 300	1	1200 max	220-240	2470	210	48	0,8	2	11	32

*Strujić-S.hr*

www.strujic-s.hr

Mala Subotica, Glavna 67, Mob: 098/426 085, Email: info@strujic-s.hr

# Profesionalni ekstrakcijski uređaji za pranje-suho mokri usisavači

## dodatna oprema ekstrakcija

Pony 700, Pony 800, Pony 900, Pony 900 Compact  
 - 2551/OTT standard.

## optional extraction accessories

Pony 700, Pony 800, Pony 900, Pony 900 Compact models  
 - 2551/OTT standard.



## Pony 300 dodatna oprema ekstrakcija/usisavanje

(Standardno: 2725/OTT, 2548/OTT, 752/OTT, 2638)

## Pony 300 model optional accessories for vacuum/extraction

(Standard: 2725/OTT, 2548/OTT, 752/OTT, 2638)



## Dodatna oprema Ø38 usisavanje

Pony 700, Pony 800, Pony 900, Pony 900 Compact.

## Optional vacuum accessories Ø38

for Pony 700, Pony 800, Pony 900, Pony 900 Compact models.

